

FIG. 1

KIND OF PROGRAM INFORMATION (EIT)	Table_id	RE-TRANSMISSION CYCLE (sec)	TRANSMISSION RATE (kbps)	
PROGRAM INFORMATION OF SELF STATION	0x4E	3	1	
	CURRENT, NEXT	0x50	5	5
	WITHIN 6 HOURS FROM PRESENT TIME	0x51	10	10
	6-24 HOURS AWAY	0x52	20	10
	2-3 DAYS AWAY	0x53	60	10
	4-8 DAYS AWAY	0x4F	3	10
	CURRENT, NEXT	0x60	5	32
	WITHIN 6 HOURS FROM PRESENT TIME	0x61	20	32
PROGRAM INFORMATION OF ANOTHER STATION	6-24 HOURS AWAY	60	20	
	2-3 DAYS AWAY	0x62	180	20
	4-8 DAYS AWAY			
TOTAL			150	

FIG. 2

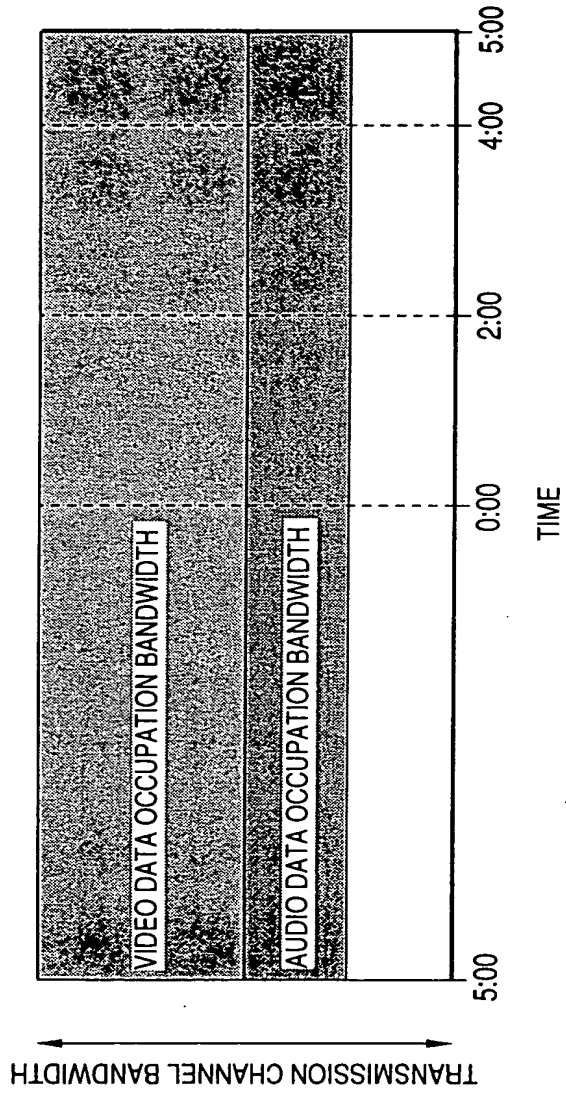


FIG. 3

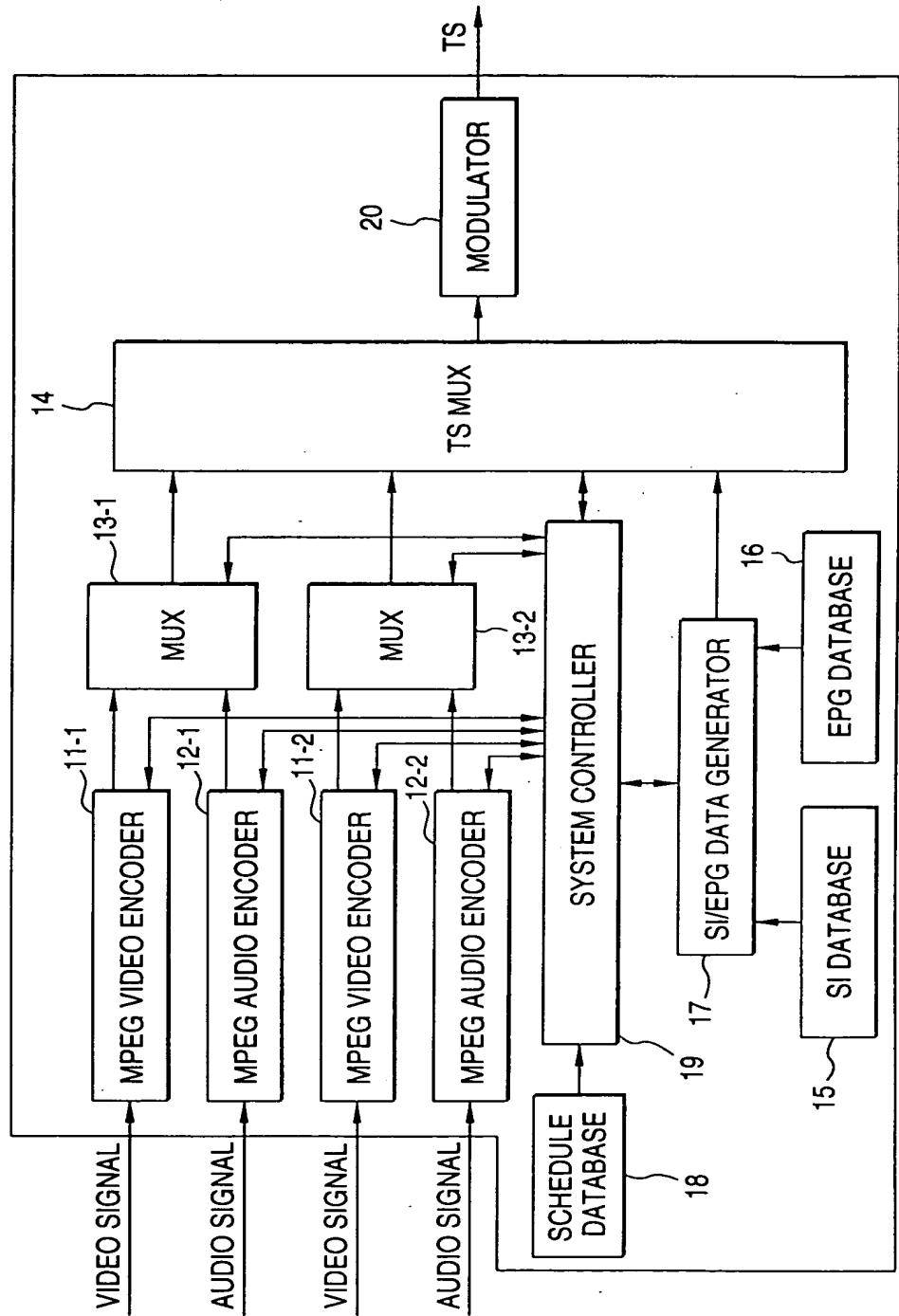


FIG. 4

KIND OF PROGRAM INFORMATION		TABLE_ID	RE-TRANSMISSION CYCLE (Sec)	TRANSMISSION RATE (kbps)
PROGRAM INFORMATION OF SELF STATION	CURRENT, NEXT	0X4E	3	1
	WITHIN 6 HOURS FROM PRESENT TIME	0X50	5	5
	6-24 HOURS AWAY	0X51	10	10
	2-3 DAYS AWAY	0X52	20	10
	4-8 DAYS AWAY	0X53	30	30
PROGRAM INFORMATION OF ANOTHER STATION	CURRENT, NEXT	0X4F	3	10
	WITHIN 6 HOURS FROM PRESENT TIME	0X60	5	30
	6-24 HOURS AWAY	0X61	10	64
	2-3 DAYS AWAY	0X62	20	60
	4-8 DAYS AWAY	0X63	30	120
TOTAL				330

FIG. 5

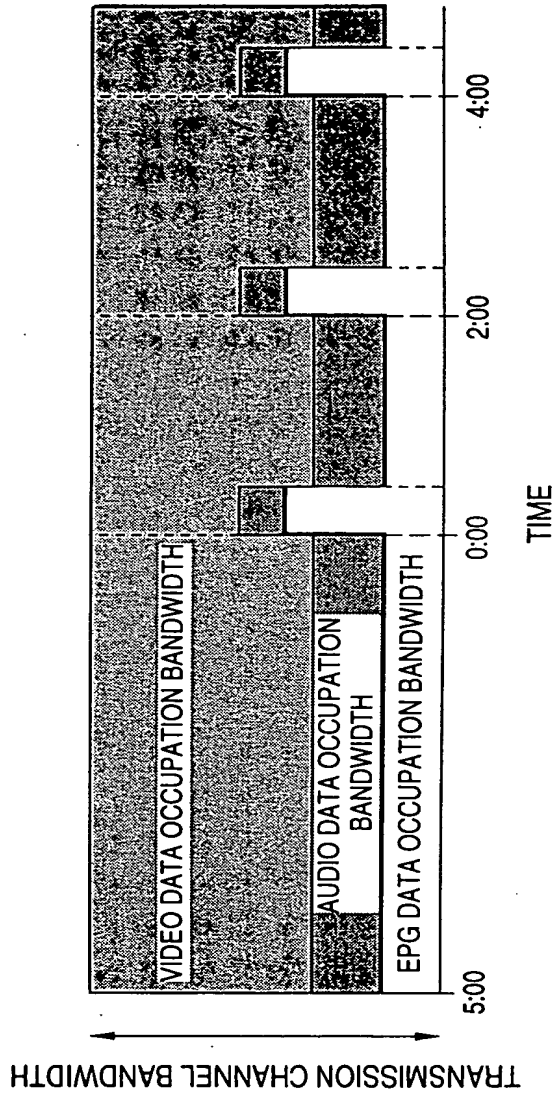
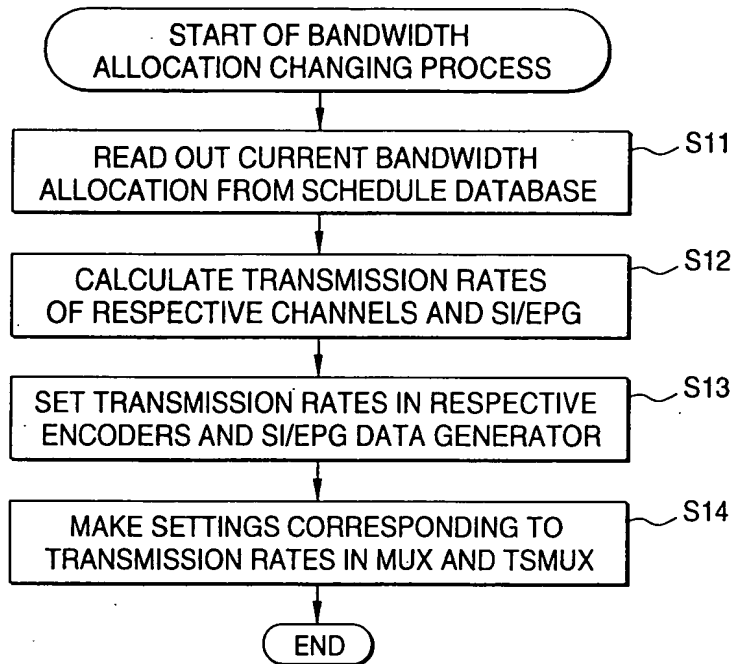


FIG. 6



Copyright © 2004 by Intel Corporation

FIG. 7

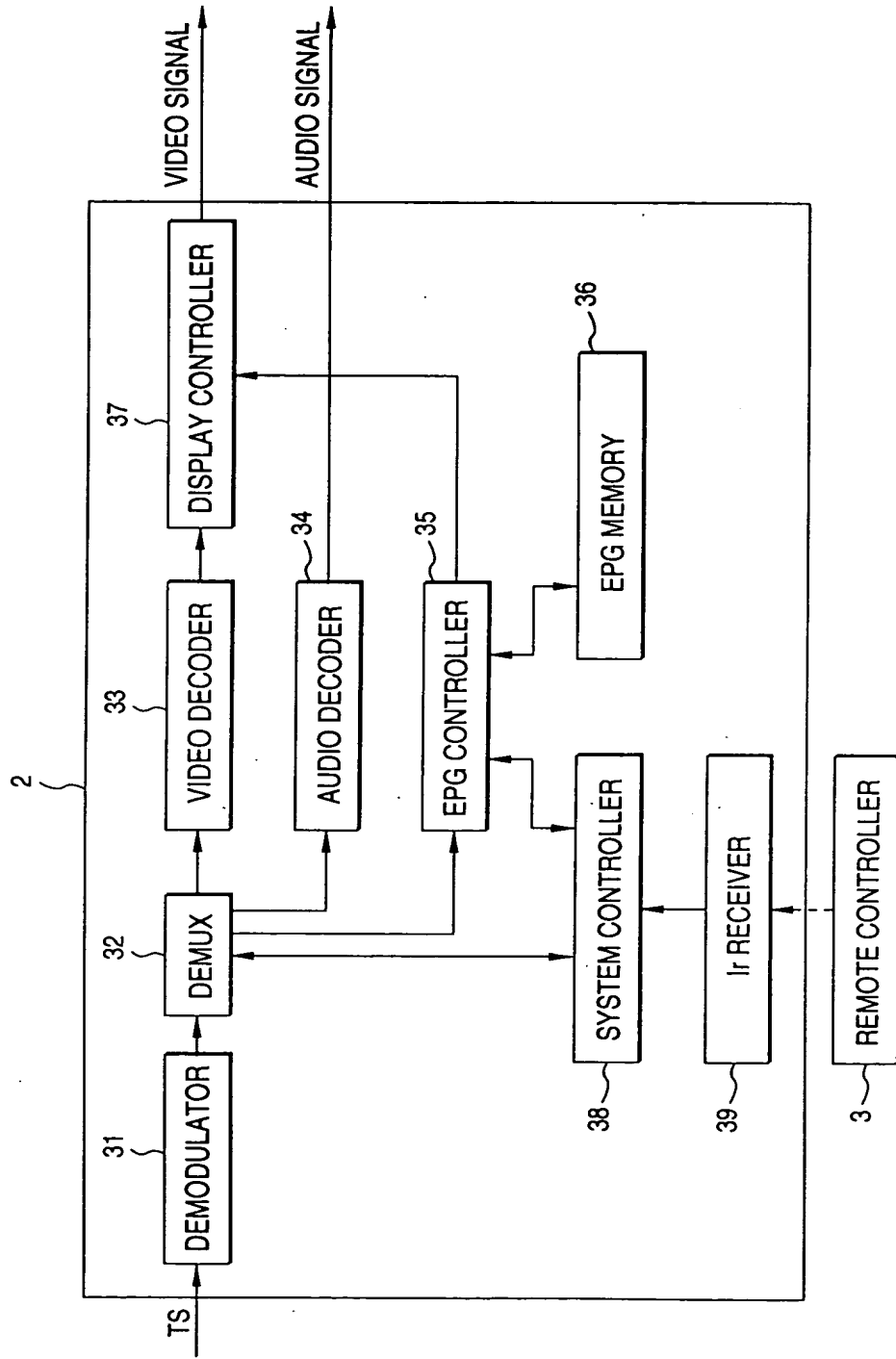
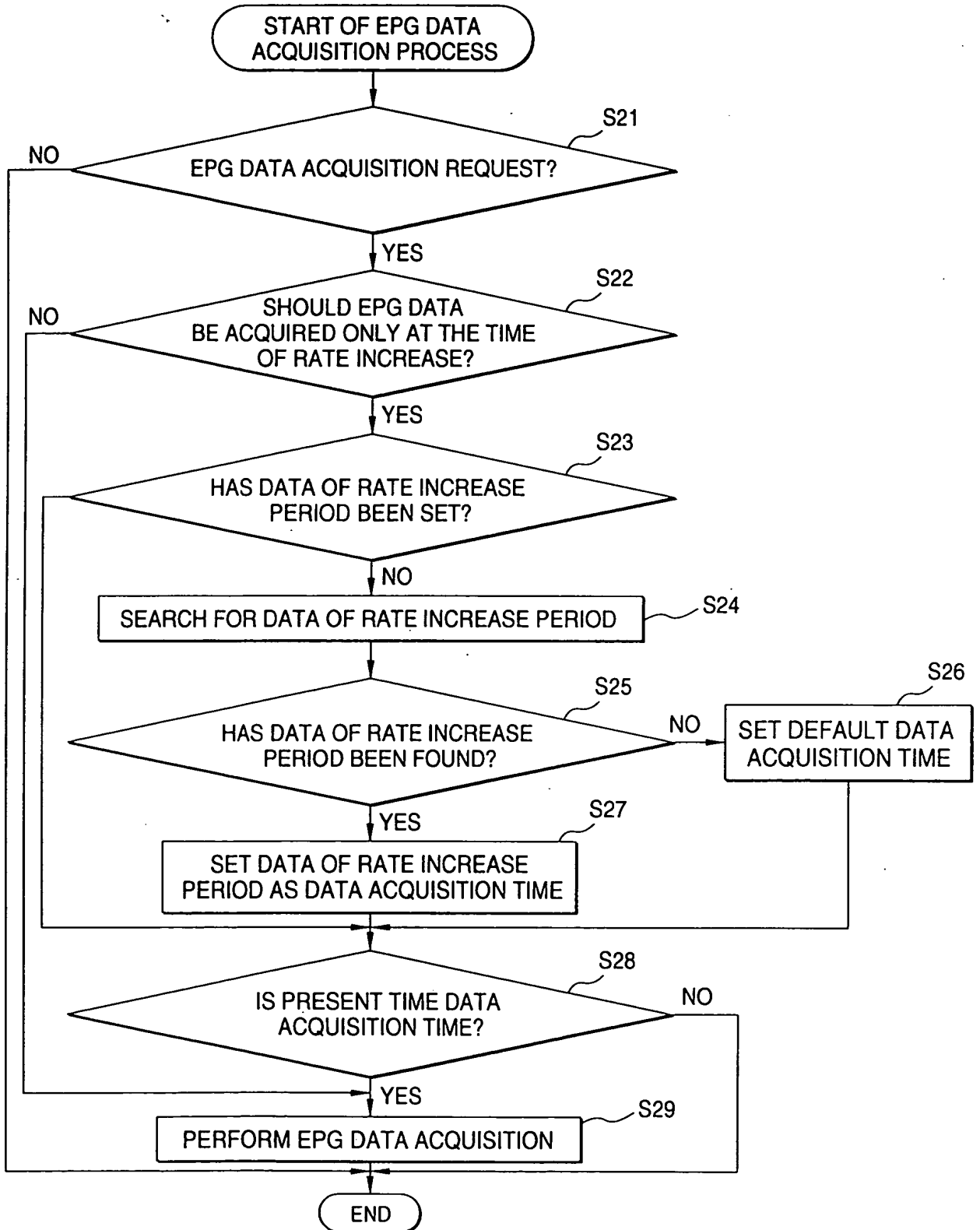


FIG. 8



005150" returned

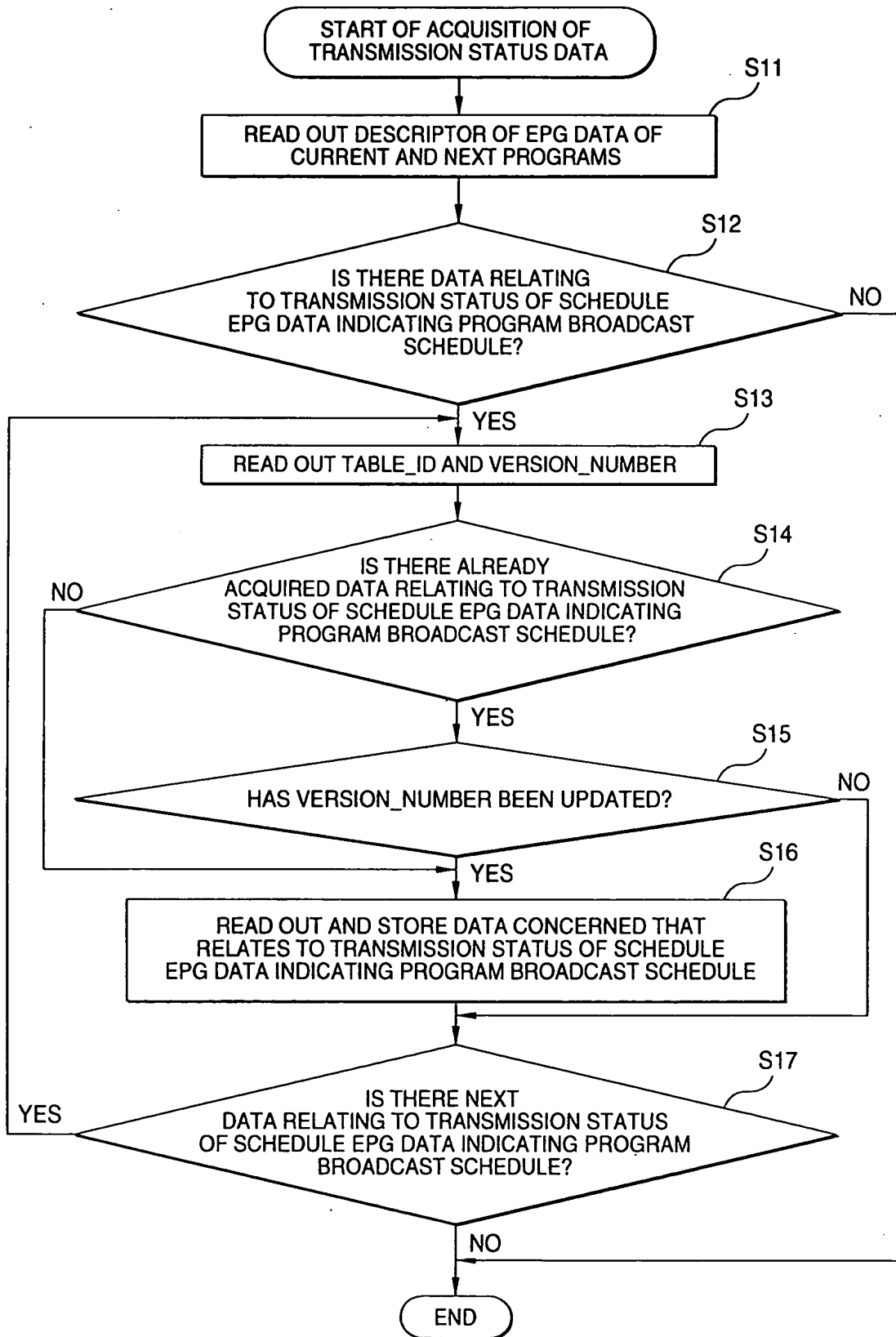
FIG. 9

SYNTAX	NUMBER OF BITS	MNEMONIC
event_information () {		
table_id	8	uimsbf
section_syntax_indicator	1	bslbf
reserved_future_use	1	bslbf
reserved	2	bslbf
section_length	12	uimsbf
service_id	16	uimsbf
reserved	2	bslbf
version_number	5	uimsbf
current_next_indicator	1	bslbf
section_number	8	uimsbf
last_section_number	8	uimsbf
transport_stream_id	16	uimsbf
original_network_id	16	uimsbf
segment_last_section_number	8	uimsbf
last_table_id	8	uimsbf
for (i=0; i<N; i++) {		
event_id	16	uimsbf
start_time	40	bslbf
duration	24	uimsbf
running_status	3	uimsbf
free_CA_mode	1	bslbf
descriptors_loop_length	12	uimsbf
for (i=0; i<N; i++) {		
}		
}		
CRC_32	32	rpchof
}		

FIG. 10

```
data_length
for (i=0; i < data_length; i++) {
  table_id
  status_flag
  version_number
}
      8 bit table_id of eit to be described
      (formal drawing: table_id of eit to be described)
      1 bit status of eit indicated by above table_id
      5 bit version of eit indicated by above table_id
```

FIG. 11



CSF50: 4044E60

FIG. 12

SYNTAX	NUMBER OF BITS	MNEMONIC
table_information_section () {		
table_id	8	uimsbf
section_syntax_indicator	1	bslbf
reserved_future_use	1	bslbf
reserved	2	bslbf
section_length	12	uimsbf
service_id	16	uimsbf
reserved	2	bslbf
version_number	5	uimsbf
current_next_indicator	1	bslbf
section_number	8	uimsbf
last_section_number	8	uimsbf
transport_stream_id	16	uimsbf
original_network_id	16	uimsbf
segment_last_section_number	8	uimsbf
last_table_id	8	uimsbf
for (i=0; i<N; i++) {		
table_id	8	uimsbf
repeating_rate	16	bslbf
update_time	40	bslbf
status_flag	1	bslbf
reserved_future_use	3	bslbf
descriptors_loop_length	12	uimsbf
for (i=0; i<N; i++) {		
descriptor ()		
}		
}		
CRC_32	32	rpchof
}		